

# FORKLIFT

## 2-3.5 t

K2C series Internal Combustion  
Counterbalanced Forklift Truck



MITRA TEKNINDO SEJATI

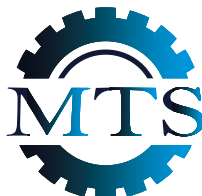
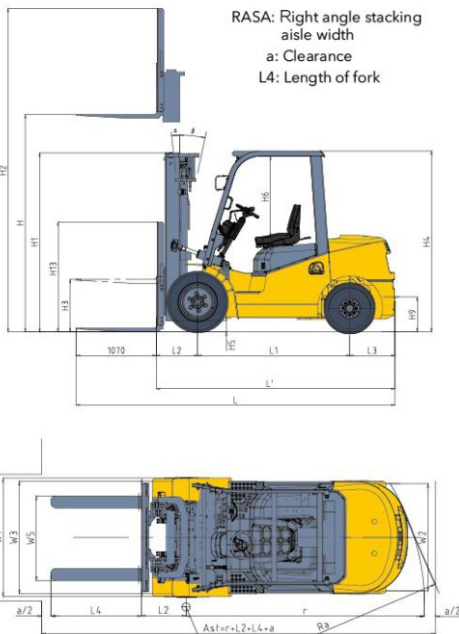
# CHL



RELIABLE ECONOMICAL  
COMFORTABLE HIGH EFFICIENT

### Manufacturer and technical parameters

Characteristics			ANHUI HELI CO.,LTD																
1.01	Manufacturer																		
1.02	Model		CPC20	CPCD20	CPC25	CPCD25	CPC30	CPCD30	CPC35	CPCD35	CPC20	CPCD20	CPC25	CPCD25	CPC30	CPCD30	CPC35	CPCD35	
1.03	Rated capacity	kg	2000	2000	2500	2500	3000	3000	3500	3500	2000	2000	2500	2500	3000	3000	3500	3500	
1.04	Load center	mm	500																
1.05	Driving mode		Diesel																
1.06	Power type		Seat-type																
Dimensions																			
2.01	Lifting height (standard)	H	3000																
2.02	Max overall height (Fork to the ground and must be vertical)	H1	2000		2000		2070		2120		2000		2000		2070		2120		2120
2.03	Max.fork lifting height(With backrest)	H2	4030		4030		4217		4217		4030		4030		4217		4217		4217
2.04	Free lift height	H3	150		150		155		160		150		150		155		160		160
2.05	Overall height(Overhead guard)	H4	2170		2170		2190		2190		2170		2170		2190		2190		2190
2.06	Min.ground clearance(At the mast)	H5	115		115		135		135		115		115		135		135		135
2.07	Distance from the surface of the seat to the overhead guard	H6	1075		1075		1075		1075		1075		1075		1075		1075		1075
2.08	Traction pin height	H9	290		290		310		310		290		290		310		310		310
2.09	Backrest height (Calculated from the surface of the fork)	H13	1000		1000		1182		1182		1000		1000		1182		1182		1177
2.10	Overall length(With fork/Without fork)	(L/L1)	3450/2530		3685/2615		3814/2744		3820/2750		3450/2530		3685/2615		3814/2744		3820/2750		3820/2750
2.11	Wheel base	L1	1650		1650		1750		1750		1650		1650		1750		1750		1750
2.12	Front overhang	L2	465		465		478		484		465		465		478		484		484
2.13	Rear overhang	L3	415		500		564		564		415		500		564		564		564
2.14	Overall width	W1	1160		1160		1225		1225		1160		1160		1225		1225		1225
2.15	Tread (Front tread/Rear tread)	(W3/W2)		970/970			1000/970				970/970			1000/970					1000/970
2.16	Fork adjustable range (the external of the fork)(Max./Min.)	W5	1030/244		1030/244		1060/250		1060/250		1030/244		1030/244		1060/250		1060/250		1060/250
2.17	Min.turning radius(Exterior)	r	2215		2270		2400		2400		2215		2270		2400		2400		2400
2.18	Min.turning radius(Interior)	r'	35		35		80		80		35		35		80		80		80
2.19	Min.right angle stacking aisle width	Ast	2235		2290		2360		2360		2235		2290		2360		2360		2360
2.20	Mast tilting angle (forward/rear)	α / β	6°/12°		6°/12°		6°/12°		6°/12°		6°/12°		6°/12°		6°/12°		6°/12°		6°/12°
2.21	Fork size	L4xW4T	920x122x40		1070x122x40		1070x125x45		1070x125x50		920x122x40		1070x122x40		1070x125x45		1070x125x50		1070x125x50
Performance																			
3.01	Max.Traveling Speed (Loaded/Unloaded)	km/h	18/19		18/19		18/19		18/19		18/19		18/19		19/20		19/19		19/19
3.02	Lifting Speed (Loaded/Unloaded)	mm/s	455/480		400/420		455/480		400/420		500/550		500/550		455/480		400/420		400/420
3.03	Lowing Speed (Loaded/Unloaded)	mm/s	450/500		450/500		450/500		450/500		450/500		450/500		450/500		450/500		450/500
3.04	Max.Drawbar Pull (Loaded/Unloaded)	kN	16.5/14	16.5/14	19.5/12	19.5/12	20/17	20/17	21.5/14	21.5/14	16.2/12.5	16.2/12.5	19.3/11.7	19.3/11.7	19.5/16	19.5/16	21.4/13.9	21.4/13.9	21.4/13.9
3.05	Max.Gradeability (Loaded/Unloaded)	%	18/29	27/32	16/28	26/28	15/23	20/24	15/23	22/24	18/29	26/32	15/27	26/27	13/22	19/24	14/22	22/23	22/23
Weight																			
4.01	Total Weight	kg	3300		3645		4265		4550		3300		3645		4265		4550		4550
4.02	Weight Distribution (Loaded/Unloaded)	kg	4714/586		5433/712		6424/841		7240/810		4714/586		5433/712		6424/841		7240/810		7240/810
4.03	Weight Distribution (Unloaded/Loaded)	kg	1544/1756		1470/2175		1745/2520		1771/2779		1544/1756		1470/2175		1745/2520		1771/2779		1771/2779
Wheel and Tyre																			
5.01	Wheel Number x = Drive Wheel (Front/Rear)		2X/2								2X/2								
5.02	Tyre Type(Front/Rear)		Pneumatic Tyre								Pneumatic Tyre								
5.03	Tyre Size(Front/Rear)		7.00-12-12PR/6.00-9-10PR								28x9-15-14PR/6.5-10-10PR								
5.04	Service Brake		Hydraulic-Foot Pedal								Hydraulic-Foot Pedal								
5.05	Parking Brake		Mechanical-Hand Lever								Mechanical-Hand Lever								
Drive and Transmission Control Device																			
6.01	Battery(Voltage/Capacity)	V/Ah	12/80																
6.02	Engine Mode		MITSUBISHI S4S																
6.03	Engine Rated Power	kW/rpm	35.3/2250																
6.04	Engine Rated Torque	Nm/rpm	177/1700																
6.05	Engine Cylinder Number-Borexstroke		4-94x120																
6.06	Engine Displacement	L	3.331																
6.07	Engine Fuel Tank Capacity	L	70																
6.08	Emission		China Stage III/Euro Stage IIIA								China Stage III/Euro Stage IIIA								
6.09	Truck model		CPC(D)20-35-MIK2C								CPC(D)20-30-W5K2C								
6.10	Transmission Box Shifting Gear(Front/Rear type)		1-1Power Shift T/M / 2-2 Manual Shift T/M																



**MITRA TEKNIENDO SEJATI**

**Jakarta**  
 Galeri Niaga Mediterania 1  
 Jl. Pantai Indah Utara II Blok. X3 No. G8A-8B  
 Pantai Indah Kapuk - Jakarta Utara

**Tangerang**  
 Kawasan Industri Milenium Blok P2 No. 3  
 Jl. Pemda Tigaraksa, Sukamulya,  
 Cikupa, Tangerang - Banten  
 Telp. 021 59645008

**Surabaya**  
 Jl. Raya Gilang 8, Gilang, Kec. Taman,  
 Sidoarjo - Jawa Timur 61257  
 Telp. 031 99794078

**Makassar**  
 Jl. Ir. Sutarna, Pertamina (Pengisian Gas Elpiji)  
 PT. Pergudangan Permata Alam Blok B No. 10  
 Makassar - Sulawesi Selatan  
 Telp 0411 8037636

**Samarinda**  
 Jl. Ampera Pergudangan Mangkupas Bisnis  
 Center Blok D20 Simpang Pasir  
 Palaran, Samarinda - Kalimantan Timur  
 Telp. 0541 7263751

**Palembang**  
 Jl. Nanas No.1 RT.07 RW.03 BTN Air Paku,  
 Tanjung Enim Selatan, Lawang Kidul,  
 Muara Enim - Sumatera Selatan